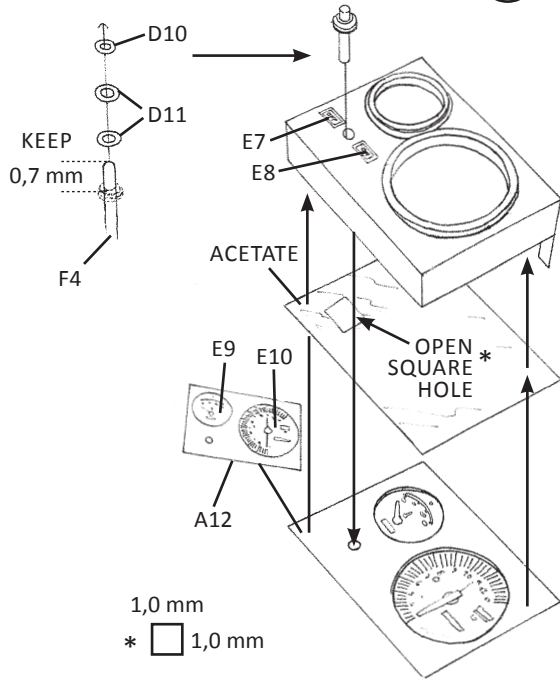
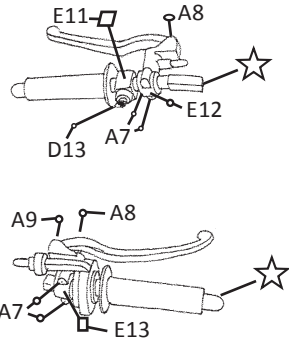


DASHBOARD

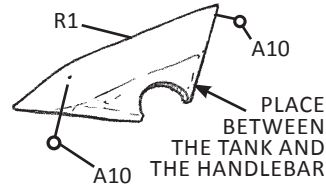


B

HANDLEBARS



BODY



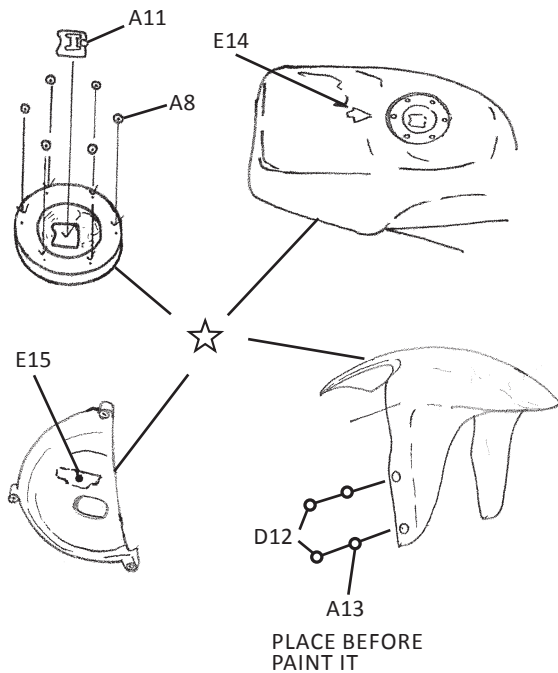
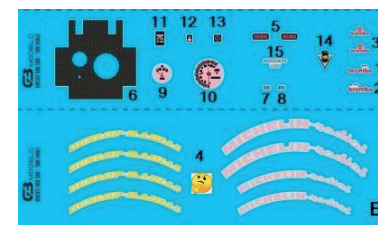
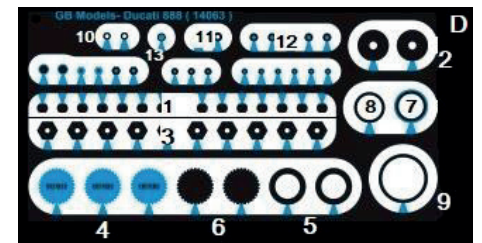
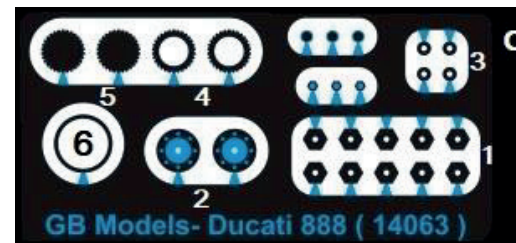
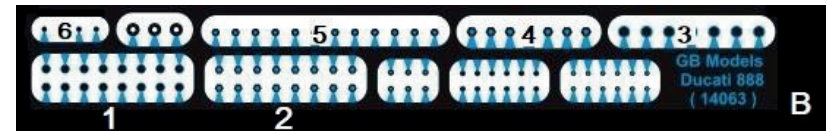
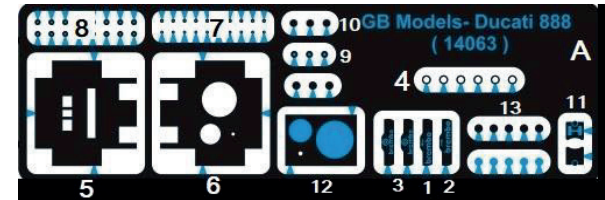
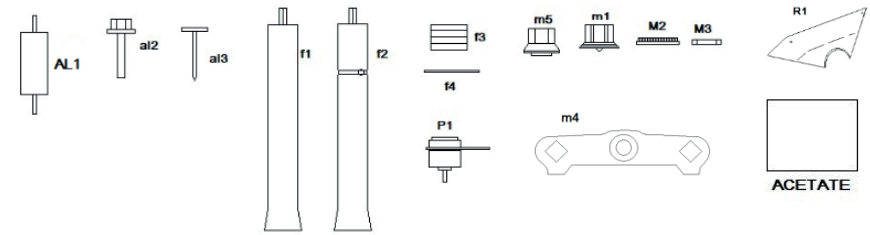
DUCATI 888 SBK 1992

Cod. GB12-M02/B

Detail-up Set compatible with Tam.14063

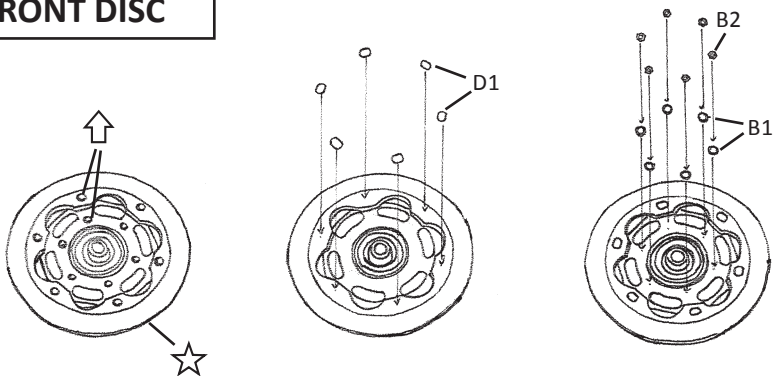


www.gbmodels.it

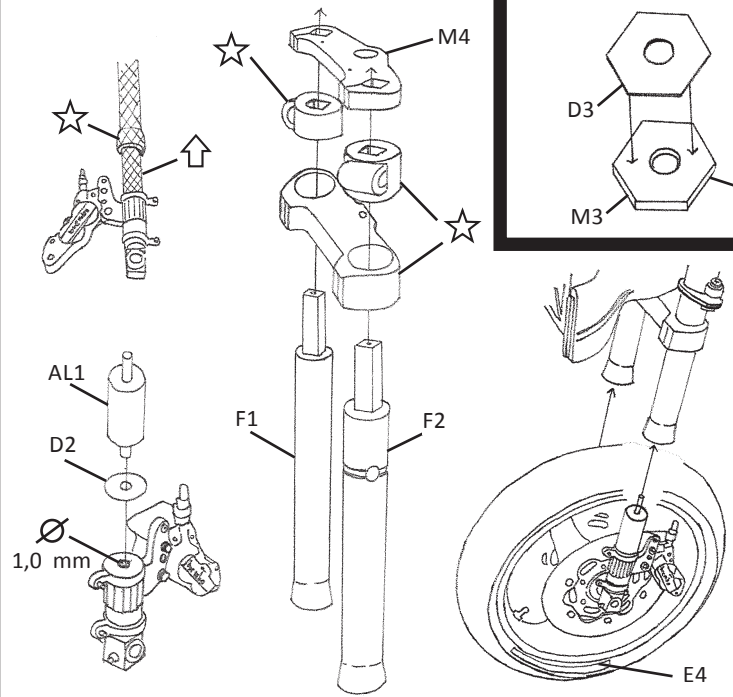


- ORIGINAL PARTS
- REMOVE WHERE INDICATED
- DRILL
- MAKE YOUR CHOICE
- PAY ATTENTION ON POSITIONING

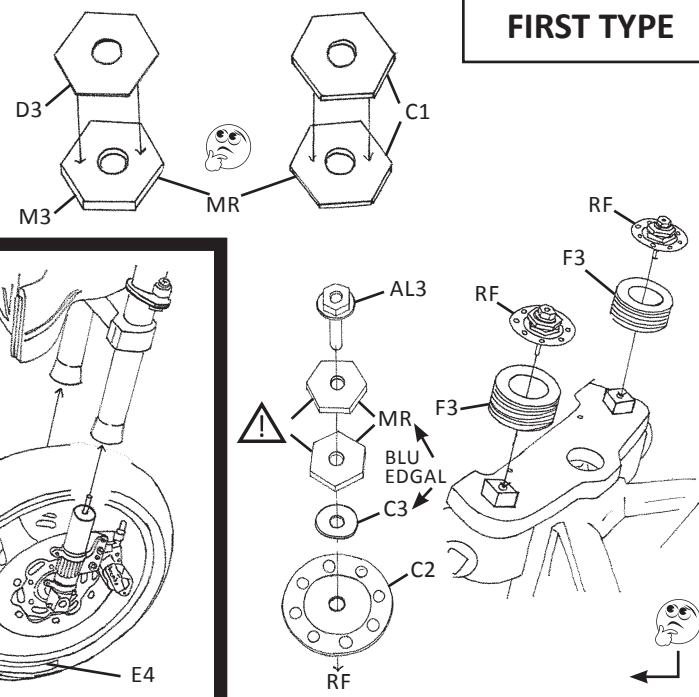
FRONT DISC



FRONT FORK ASSEMBLING

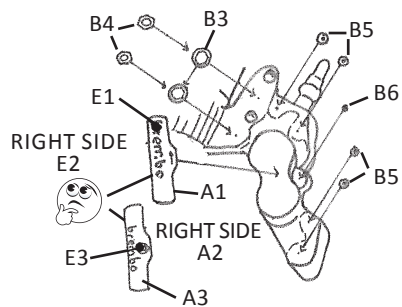
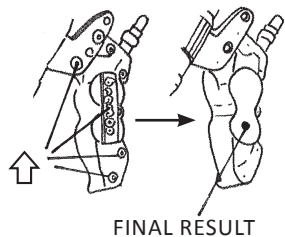


2 TYPES FOR ADJUSTMENT

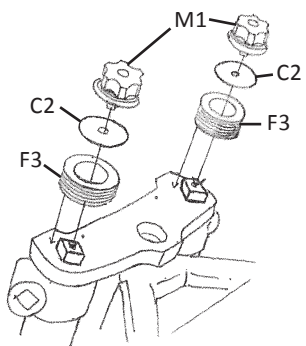


FIRST TYPE

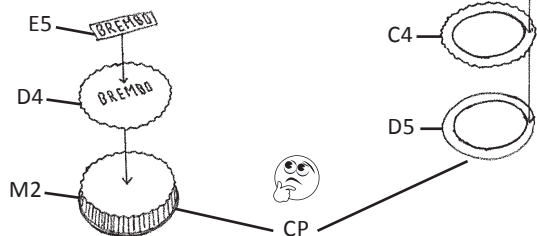
CALIPERS



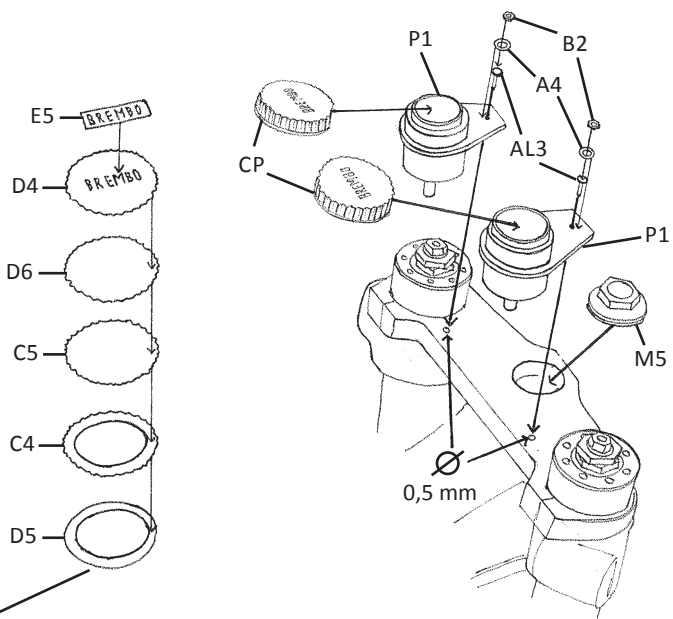
FORK ADJUSTMENT



SECOND TYPE

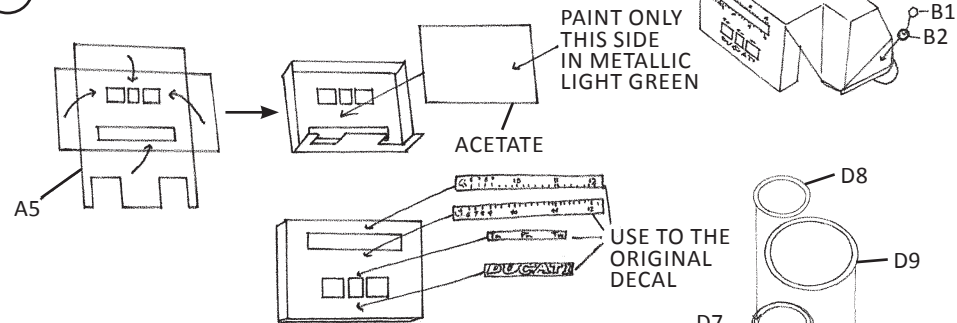


STEERING BRAKE FLUID CUP



2 DASHBOARD TYPES

(A) DIGIT. DASHBOARD



(B) ANALOG DASHBOARD

